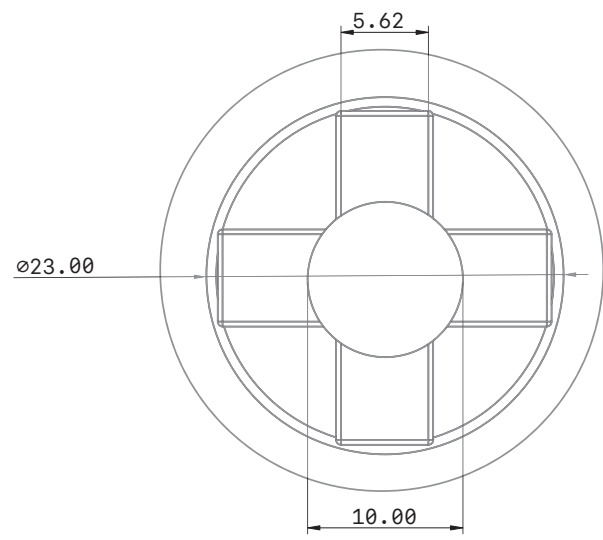


31" diameter

60.00

62.50



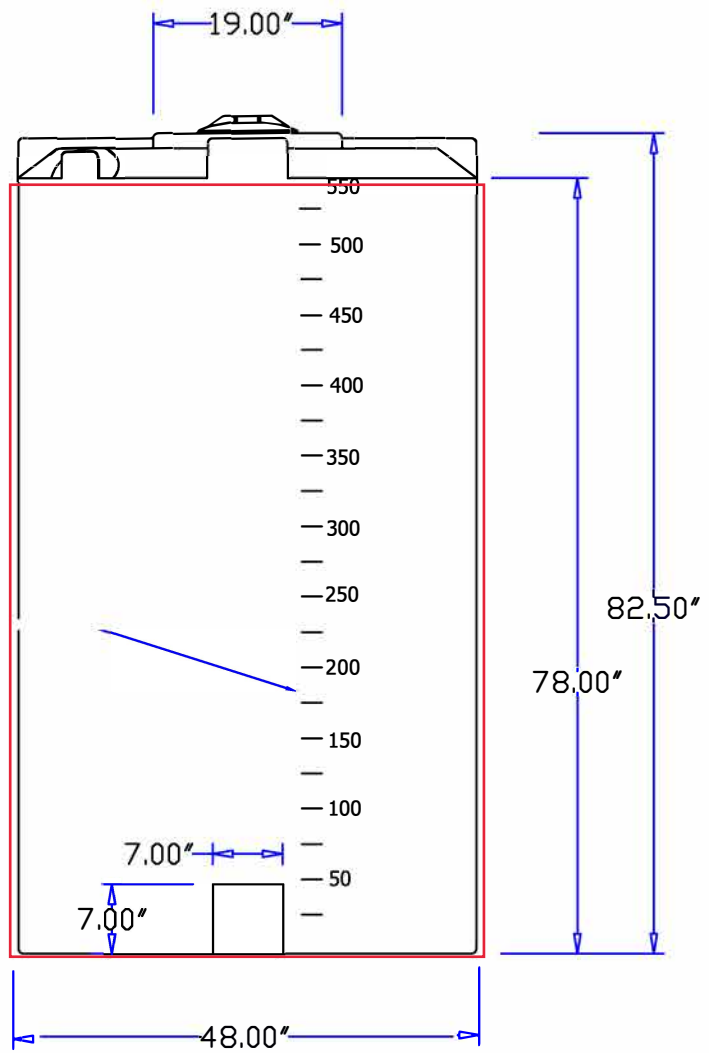
∅23.00

5.62

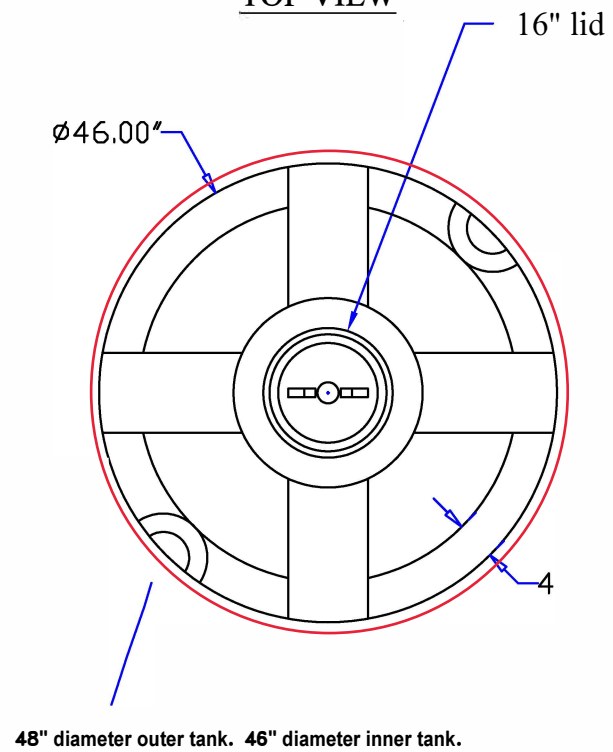
10.00

TITLE VTBDC00100-31		
UNITS in	PROJ. ANG. 	SIZE B
SCALE 1:8	LAST UPDATED 07/19/23	SHEET 1/1

SIDE VIEW



TOP VIEW



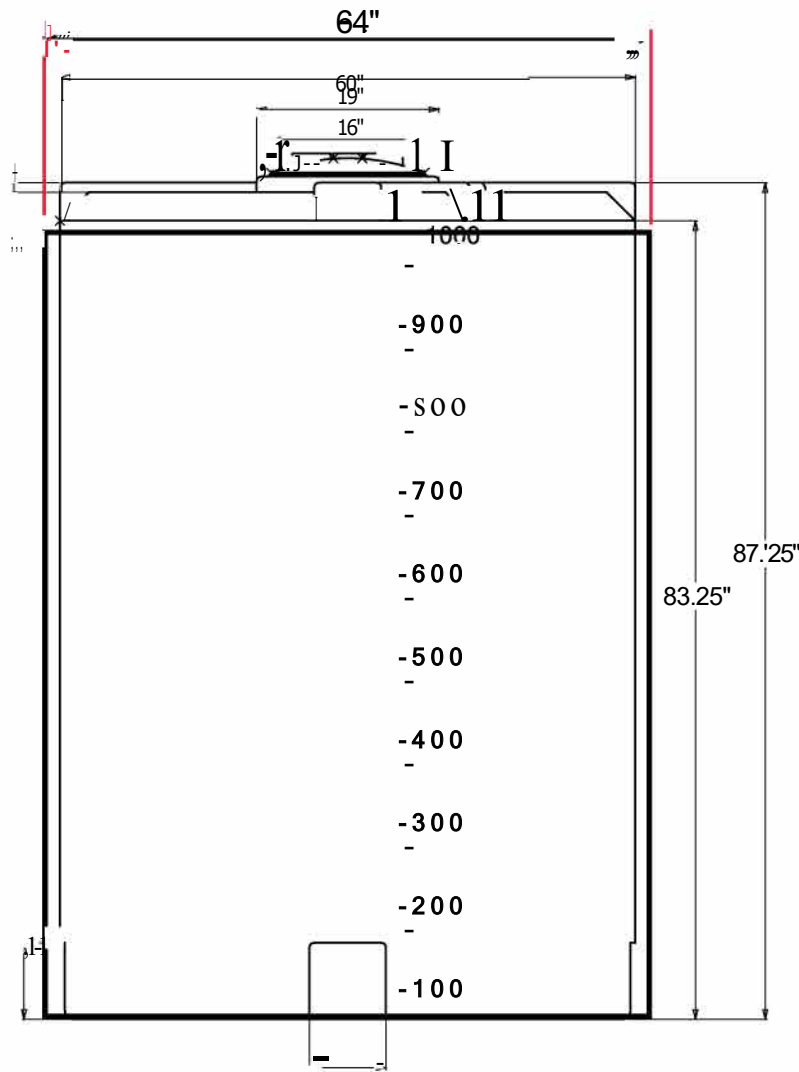
				DRAWN / DATE		MATERIAL / SHOT WEIGHT	
				APPRD. / DATE		HDPE	
REV	DESCRIPTION	DATE	APPRD	NOTES:			
ALL DIMENSIONS ARE IN DECIMAL INCHES TOLERANCES UNLESS OTHERWISE SPECIFIED $\pm .5\% \bullet 68^\circ F$							

**BAILIFF ENTERPRISES, INC.**  
302 N THOMASON ST WILLIS, TEXAS 77378

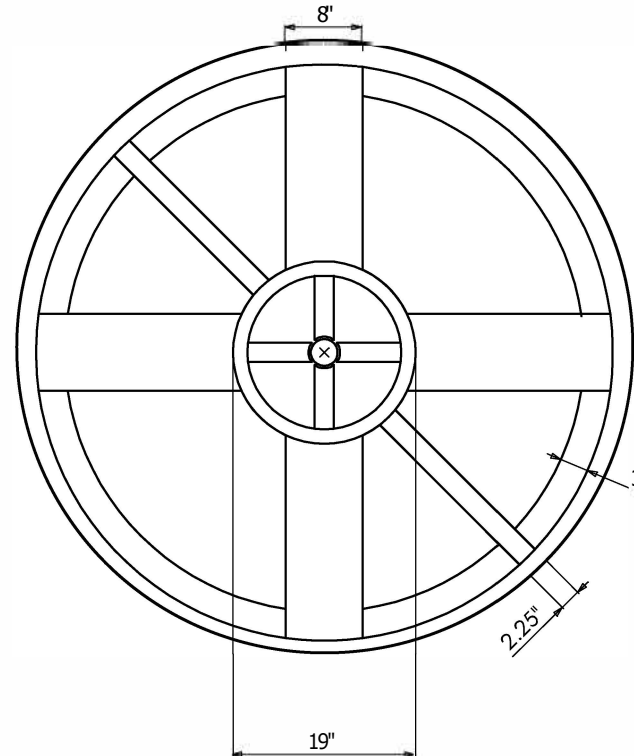
---

550 GALLON DOUBLE WALL VERTICAL TANK

SCALE <b>N.S.</b>	PART NO. <b>VTBDC550-48</b>
----------------------	--------------------------------

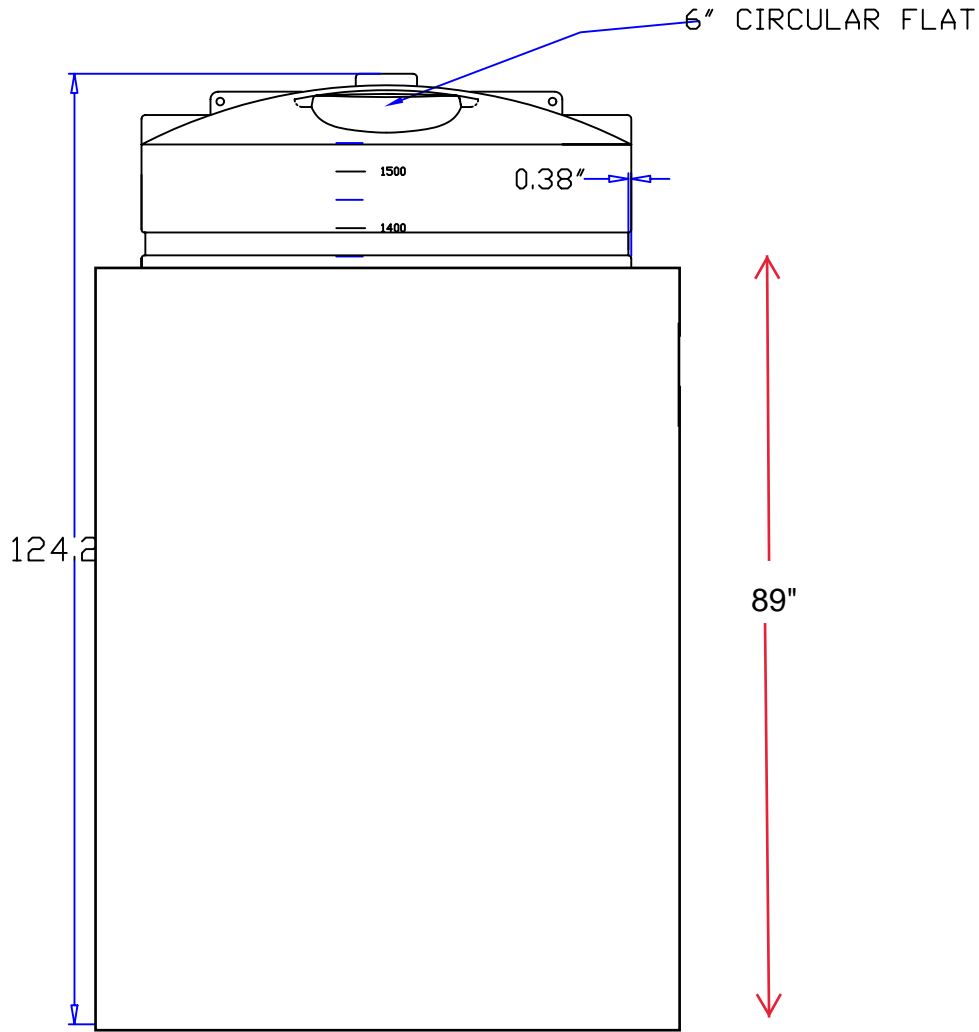


NSF61 RESIN  
 UV15 RATED  
 1.9 SPECIFIC GRAVITY STANDARD  
 ATMOSPHERIC PNEUMATIC ONLY  
 THREADED OR FLANGED FITTINGS AVAILABLE  
 16" VENTED LID STANDARD  
 AVAILABLE IN COLORS  
 AVAILABLE IN POLYPROPYLENE AND PVDF

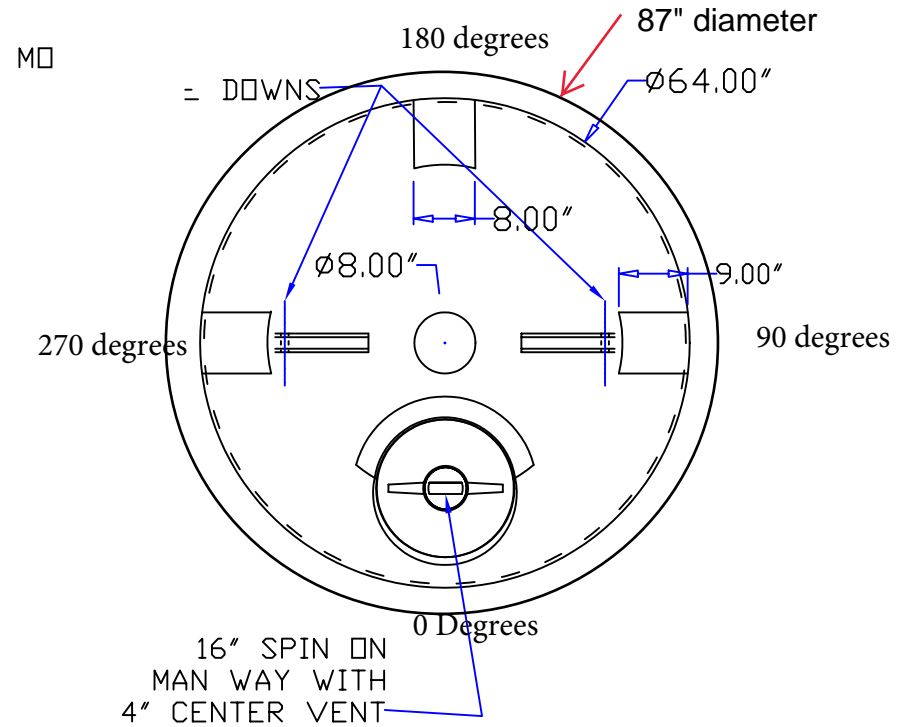


				DRAWN BY/ DATE		MATERIAL/ SHOT WEIGHT		<b>BAILIFF ENTERPRISES, INC.</b> <small>302 North Thomason Road Willis, Texas 75788          Phone 936.890.7777 Fax 936.87773</small>	
				DHALL / 11-13-17		HDPE			
				APPROVED BY/DATE		NOTES:		CLIENT/DESCRIPTION	
								1,000 GALLON DOUBLE WALL VERTICAL TANK	
REV	DESCRIPTION	DATE	APPRD	THIRD ANGLE PROJECTION ANSI 14.5M 		SCALE		PART NUMBER	
All dimensions are in decimal inches Tolerances unless otherwise specified +/- 3% at 68 degrees F.						N.S.		VTBDC1000-64	

SIDE VIEW



TOP VIEW



87"

MATERIAL /

DRAWN / DATE  
MSYKES/5/14/02

APPRD. / DATE

HDPE  
Polypropylene  
PVDF

**BAILIFF ENTERPRISES, INC.**

8423 AIRLINE DRIVE, HOUSTON, TEXAS 77037  
PHONE (281) 447-5372 FAX (281) 999-1223

CLIENT / DESCRIPTION

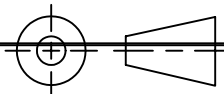
1550 gallon Double Wall Vertical Tank

REV	DESCRIPTION	DATE	APPRD

ALL DIMENSIONS ARE IN DECIMAL INCHES  
TOLERANCES UNLESS OTHERWISE SPECIFIED

± .5% @ 68° F

THIRD ANGLE PROJECTION  
ANSI 14.5M



NOTES:

SCALE

N.S.

PART NO.

VTBDC01550-64-88