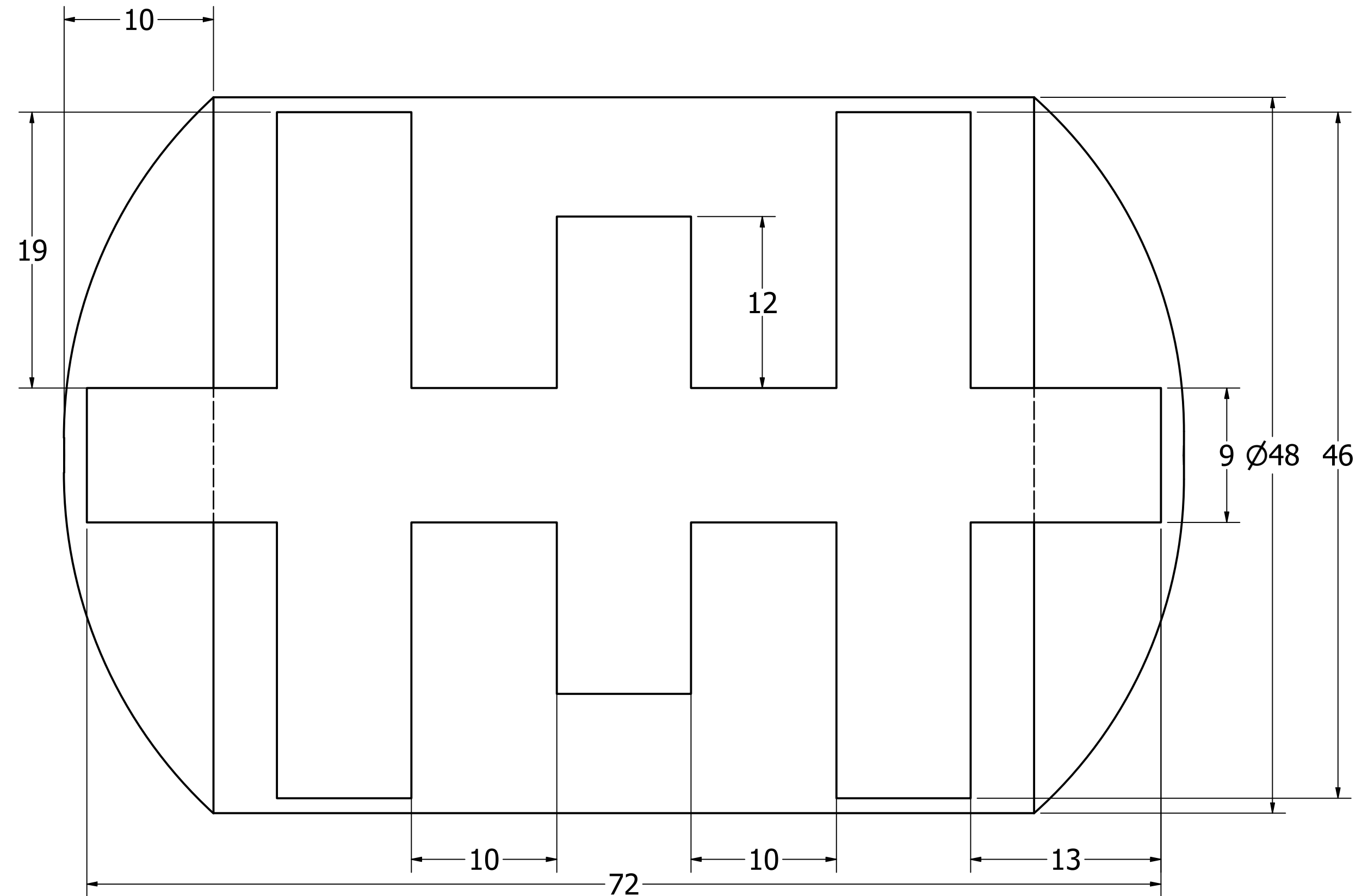
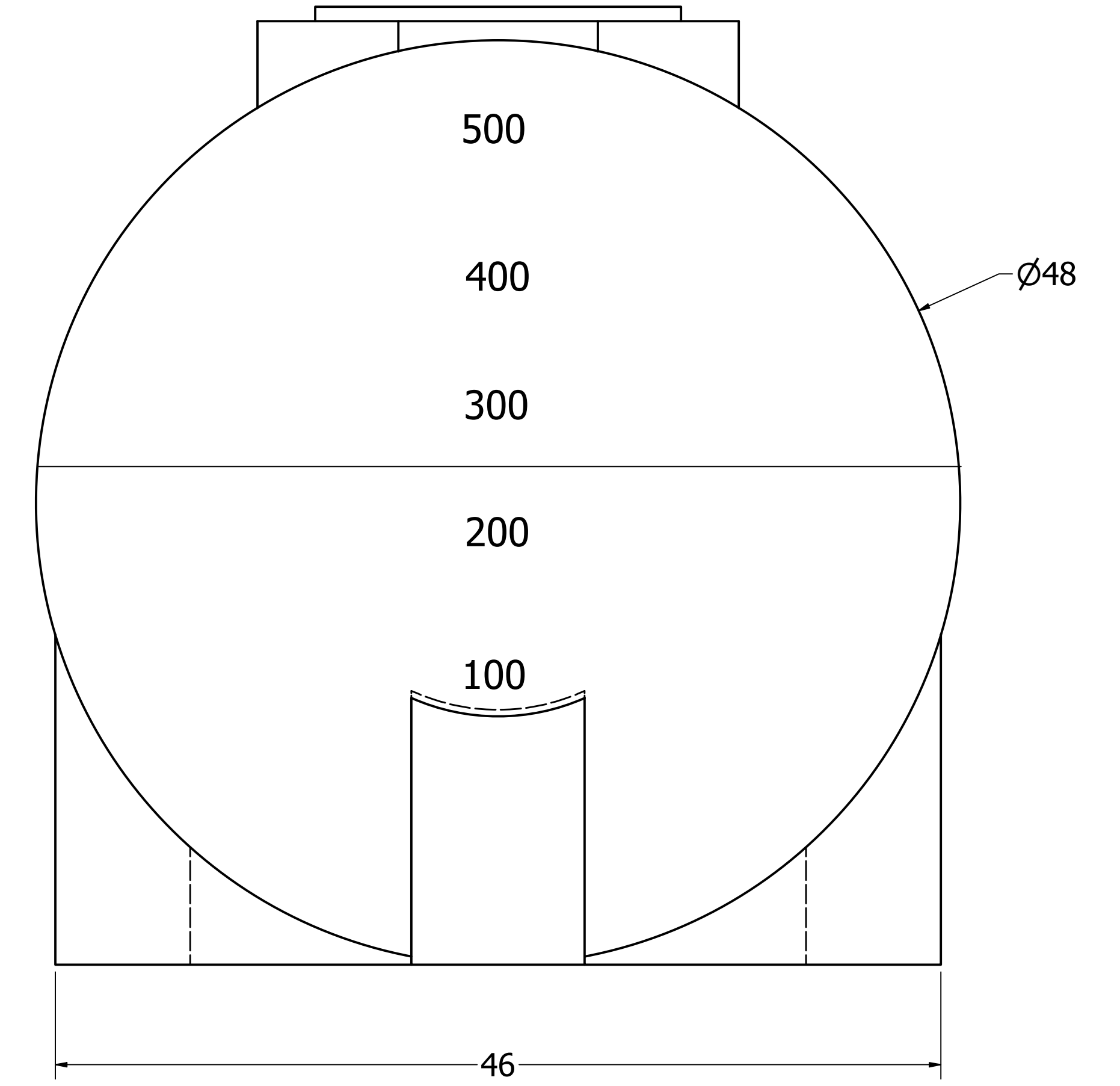
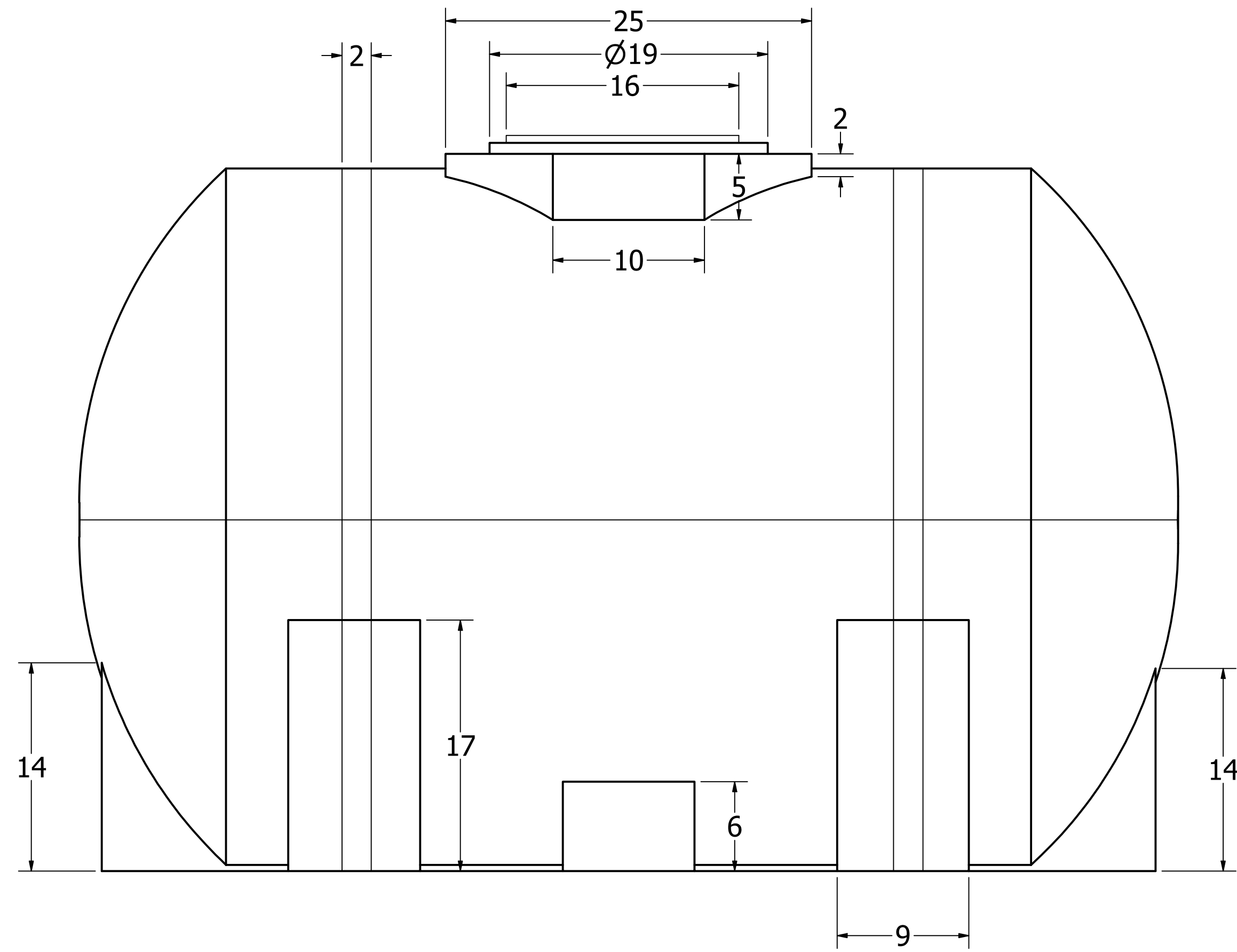


8 7 6 5 4 3 2 1



ALL DIMENSIONS ARE IN DECIMAL INCHES
 TOLERANCE UNLESS OTHERWISE SPECIFIED
 ± .5% © 68° F

DRAWN Hayden Carmouche	1/2/2025	Bailiff Enterprises Inc.	
CHECKED		TITLE	
QA		FSB00500-48	
MFG		SIZE	DWG NO
APPROVED		D	FSB00500-48 Drawing
		SCALE	REV
		1 / 7	SHEET 1 OF 1

8 7 6 5 4 3 2 1