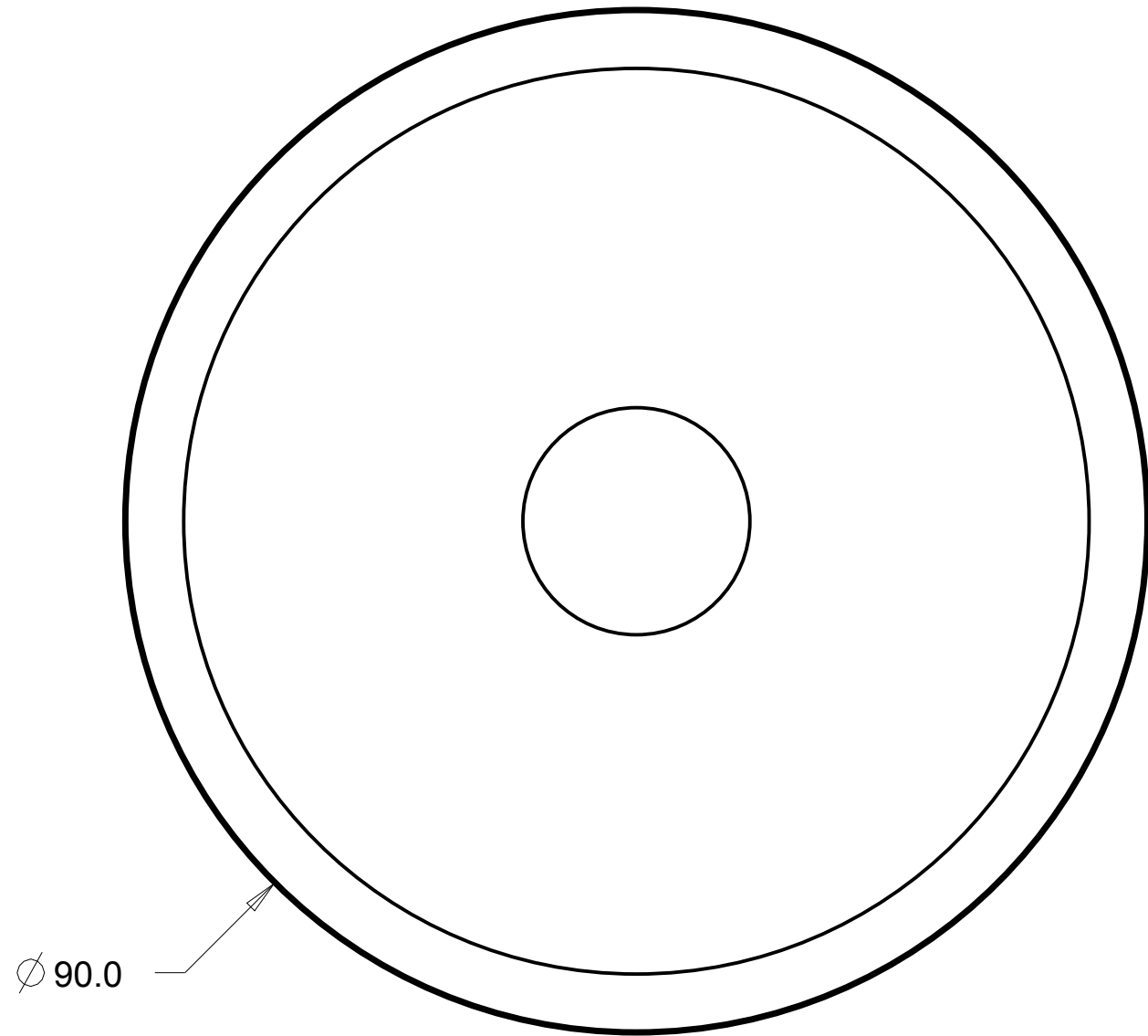


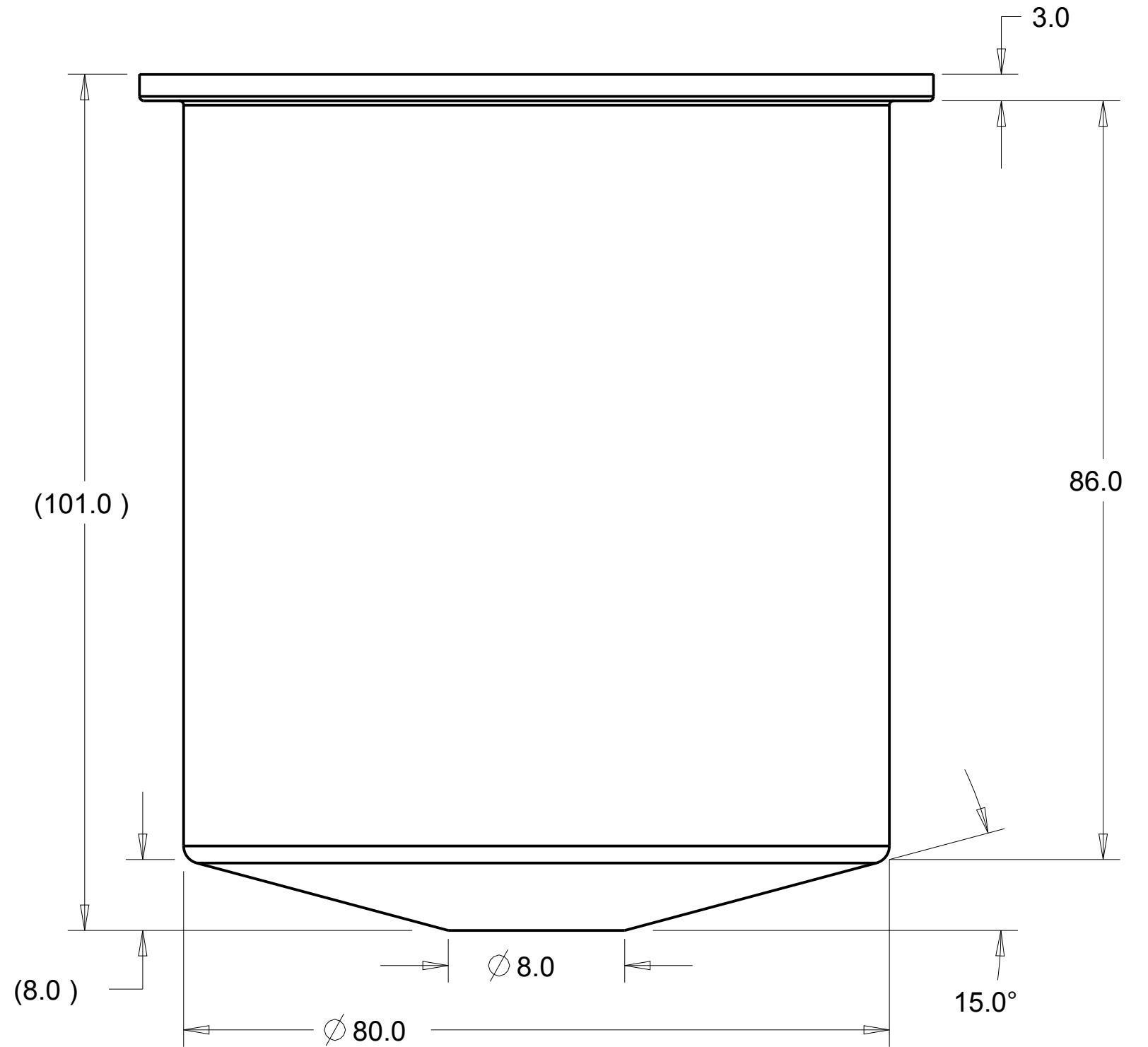
TOP VIEW



Ø 90.0

16" VNTED LID

SIDE VIEW



(101.0)

3.0

86.0

(8.0)

Ø 8.0

15.0°

Ø 80.0

|   |   |   |   |
|---|---|---|---|
| <p>MATERIAL<br/>                 STD: HDPE<br/>                 OPT: POLYPRO<br/>                 OPT: PVDF</p> | <p>SHOT WEIGHT<br/>                 TBD</p> | <p><b>BAILIFF ENTERPRISES, INC.</b></p>                       |   |
| <p>NOTES:<br/>                 ALL DIMENSIONS ARE IN<br/>                 DECIMAL INCHES</p>                    |   | <p>DESCRIPTION<br/> <b>2000 Gallon Tank - Cone Bottom</b></p> |   |
| <p>TOLERANCES<br/>                 (UNLESS OTHERWISE SPECIFIED)<br/>                 ± .5% @ 68 °F</p>          |   | <p>COLOR<br/>                 TBD</p>                         | <p>PART NO.<br/>                 CBTB2000-80 CUSTOM TANK<br/>                 1.9 SPECIFIC GRAVITY HEAVY WALL</p> |