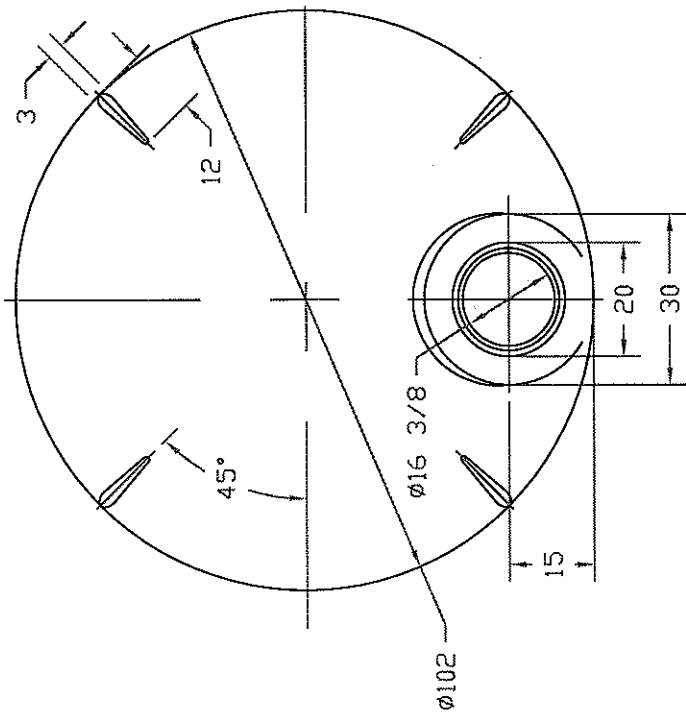
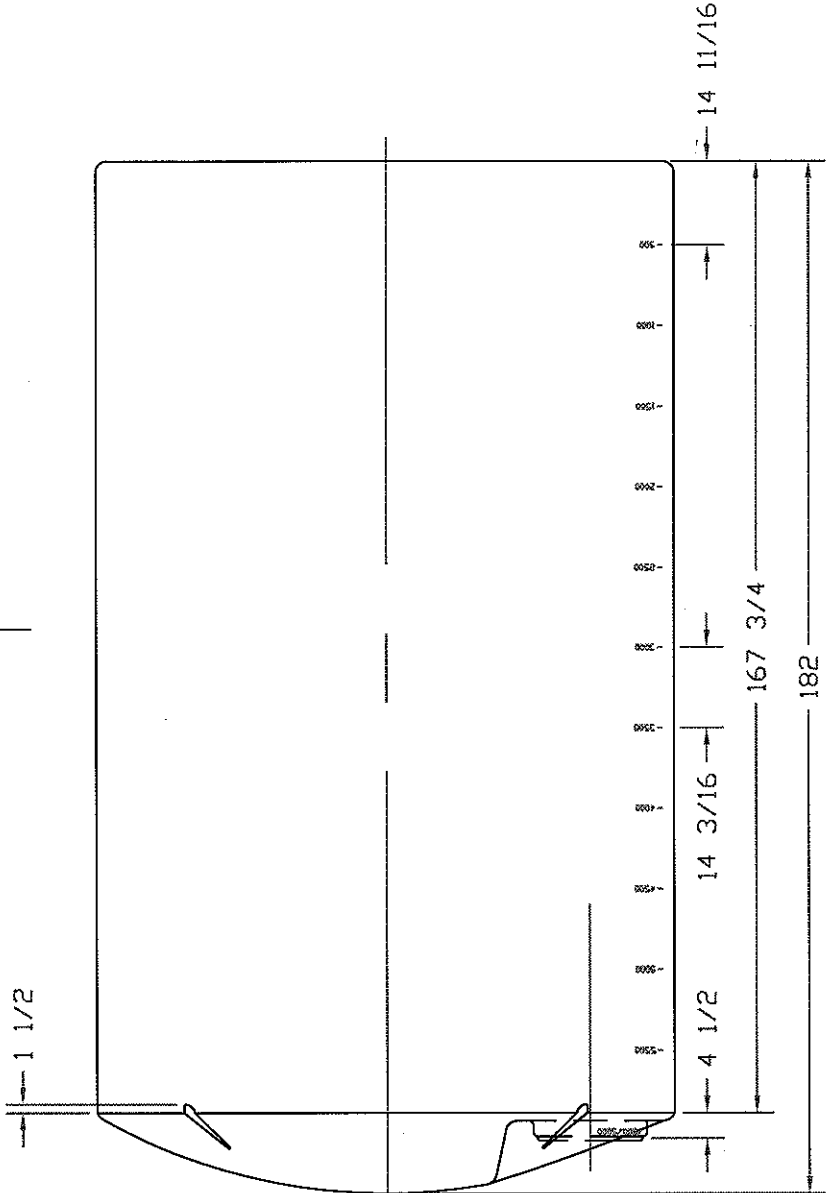


REVISIONS		
ZONE	REV	DESCRIPTION
	B	REDRAWN
		DATE
		14AUG97
		APPROVED



<b>NORWESCO</b>		ST. BONIFACIUS, MN	
6000 GALLON VERTICAL		STORAGE TANK	
JTP	14AUG97	SIZE	FSCM NO.
		B	DWG NO.
			B
		SCALE	1/24
			SHEET