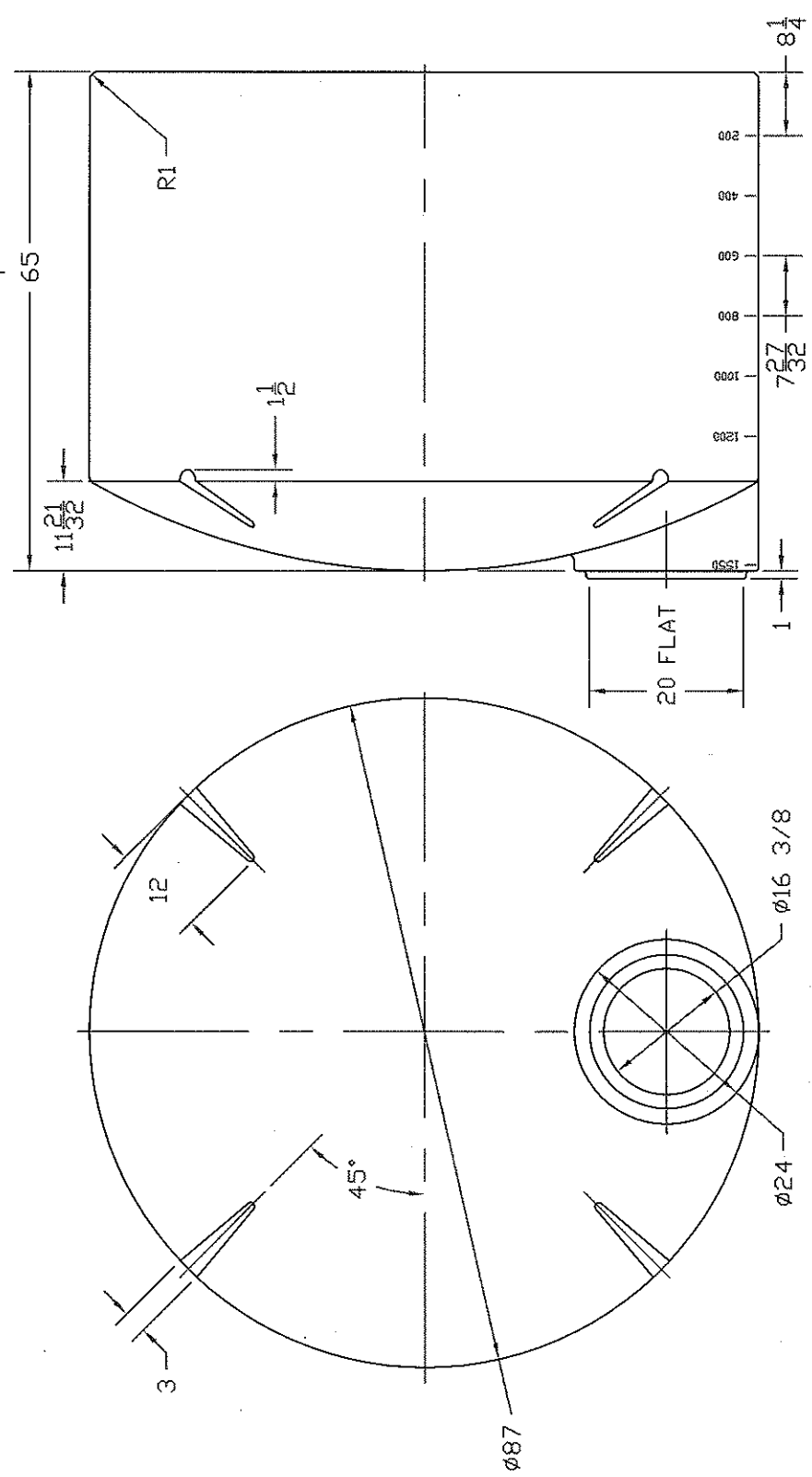


REVISIONS		
ZONE	REV	DESCRIPTION
	A	REDRAWN
		DATE
		02 JAN 97
		APPROVED



NORWESCO		ST. BONIFACIUS, MN	
1550 GALLON VERTICAL TANK		FSCM NO.	
JTP	02JAN97	DWG NO.	A
SCALE 1/16		SHEET	