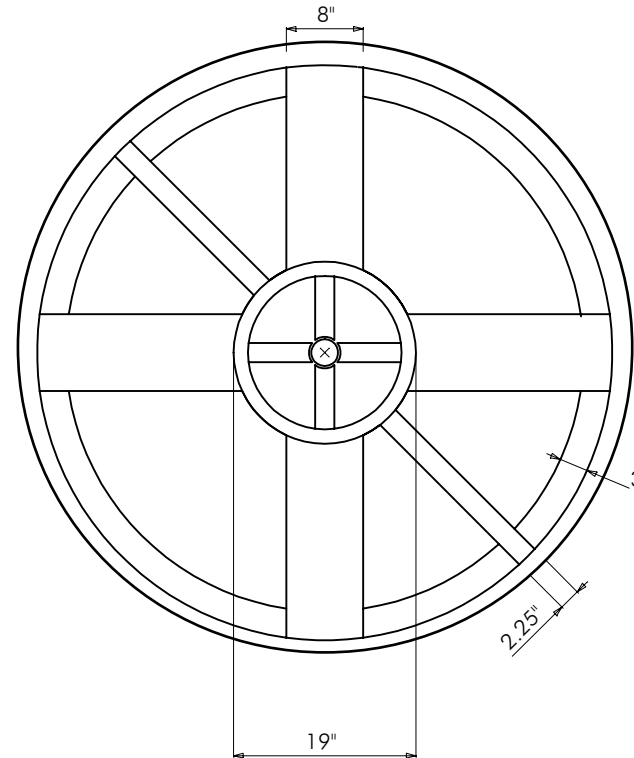


NSF 61 RESIN
UV15 RATED
1.9 SPECIFIC GRAVITY STANDARD
ATMOSPHERIC PREASURE ONLY
THREADED OR FLANGED FITTINGS AVAILABLE
16" VENTED LID STANDARD
AVAILABLE IN COLORS
AVAILABLE IN POLYPROPYLENE AND PVDF



				DRAWN BY / DATE DHALL / 11-13-17		MATERIAL / SHOT WEIGHT HDPE		BAILIFF ENTERPRISES, INC. <small>302 North Thomason Road Willis, Texas 77378 Phone 936.890.7777 Fax 936.890.7773</small>	
				APPROVED BY / DATE		NOTES:		CLIENT/DESCRIPTION 1,000 GALLON DOUBLE WALL VERTICAL TANK	
REV DESCRIPTION DATE APPRD				THIRD ANGLE PROJECTION ANSI 14.5M 		SCALE N.S.		PART NUMBER VTBDC1000-64	
All dimensions are in decimal inches Tolerances unless otherwise specified +/- .5% at 68 degrees F.									