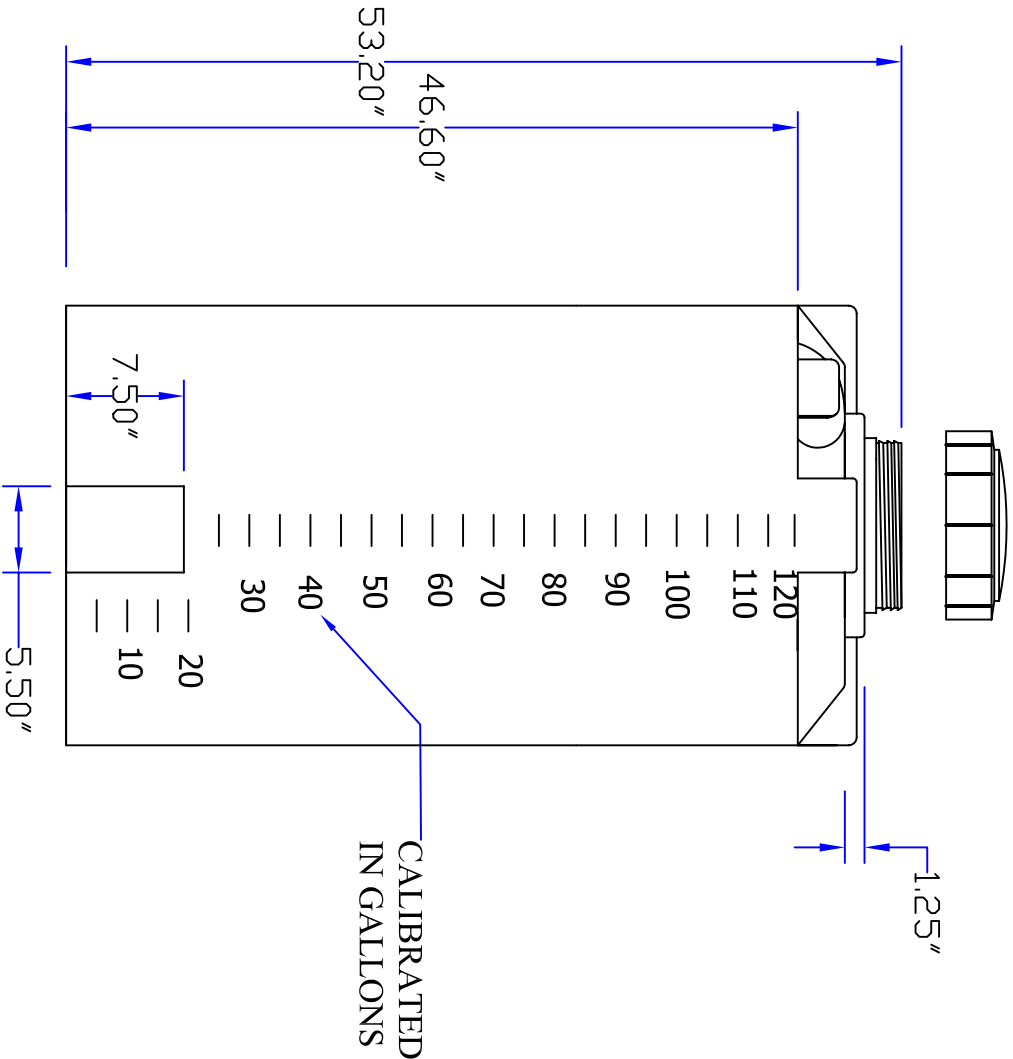
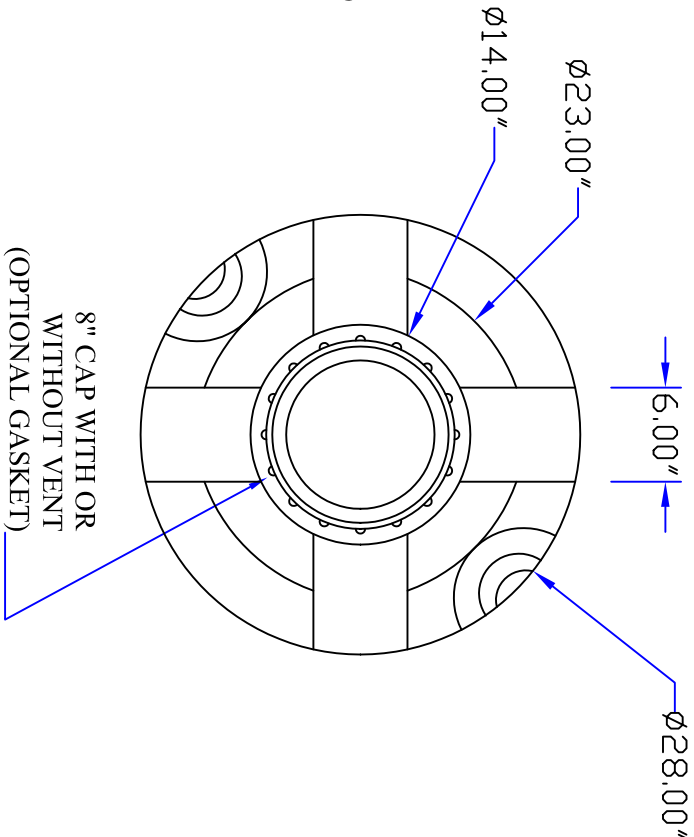


**SIDE VIEW**



**TOP VIEW**



REV	DESCRIPTION	DATE	APPRD

DRAWN / DATE	MATERIAL / SHOT WEIGHT
MPS/04/02/03	HDPE 40 LBS.
APPRD. / DATE	NOTES:

**BALLIFF ENTERPRISES, INC.**  
 8423 AIRLINE DRIVE, HOUSTON, TEXAS 77037  
 PHONE (281) 447-5372 FAX (281) 999-1223

CLIENT / DESCRIPTION  
 120 GALLON VERTICAL TANK

ALL DIMENSIONS ARE IN DECIMAL INCHES TOLERANCES UNLESS OTHERWISE SPECIFIED	THIRD ANGLE PROJECTION ANSI 14.5M
± .5% @ 68° F	

SCALE	N.S.	PART NO.	VTB120-28
-------	------	----------	-----------