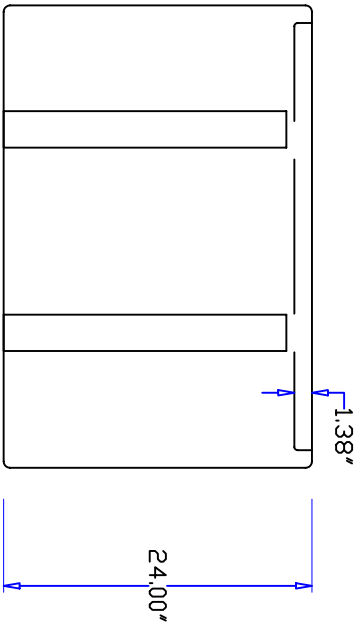
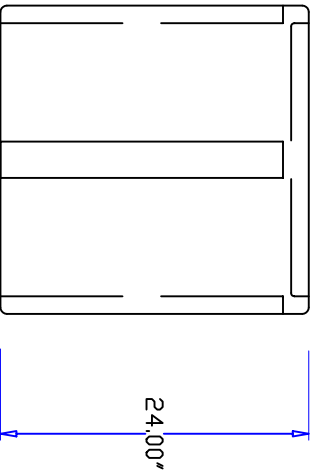


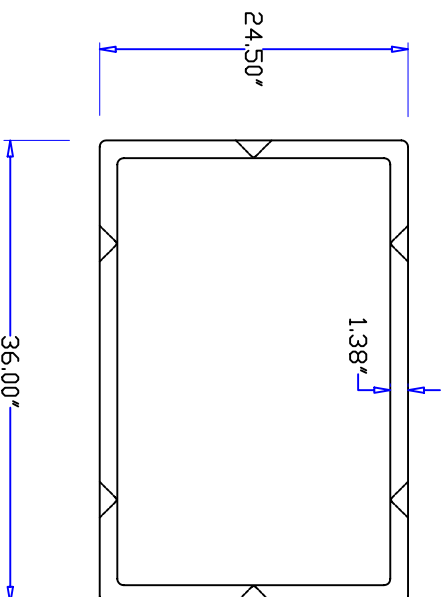
SIDE VIEW



END VIEW



TOP VIEW



OPEN TOP TANK LID- AVAILABLE ON REQUEST

		DRAWN / DATE MPS/1/15/04		MATERIAL / SHOT WEIGHT HDPE 45 LBS.		BAILIFF ENTERPRISES, INC. 8423 AIRLINE DRIVE, HOUSTON, TEXAS 77037 PHONE (281) 447-5372 FAX (281) 999-1223	
		APPRD. / DATE		NOTES:		CLIENT / DESCRIPTION 85 GALLON MULTI-PURPOSE TANK	
REV	DESCRIPTION	DATE	APPRD	THIRD ANGLE PROJECTION ANSI 14.3M		SCALE	PART NO.
						N.S.	RTB085-36
ALL DIMENSIONS ARE IN DECIMAL INCHES TOLERANCES UNLESS OTHERWISE SPECIFIED + .5% @ 68° F							