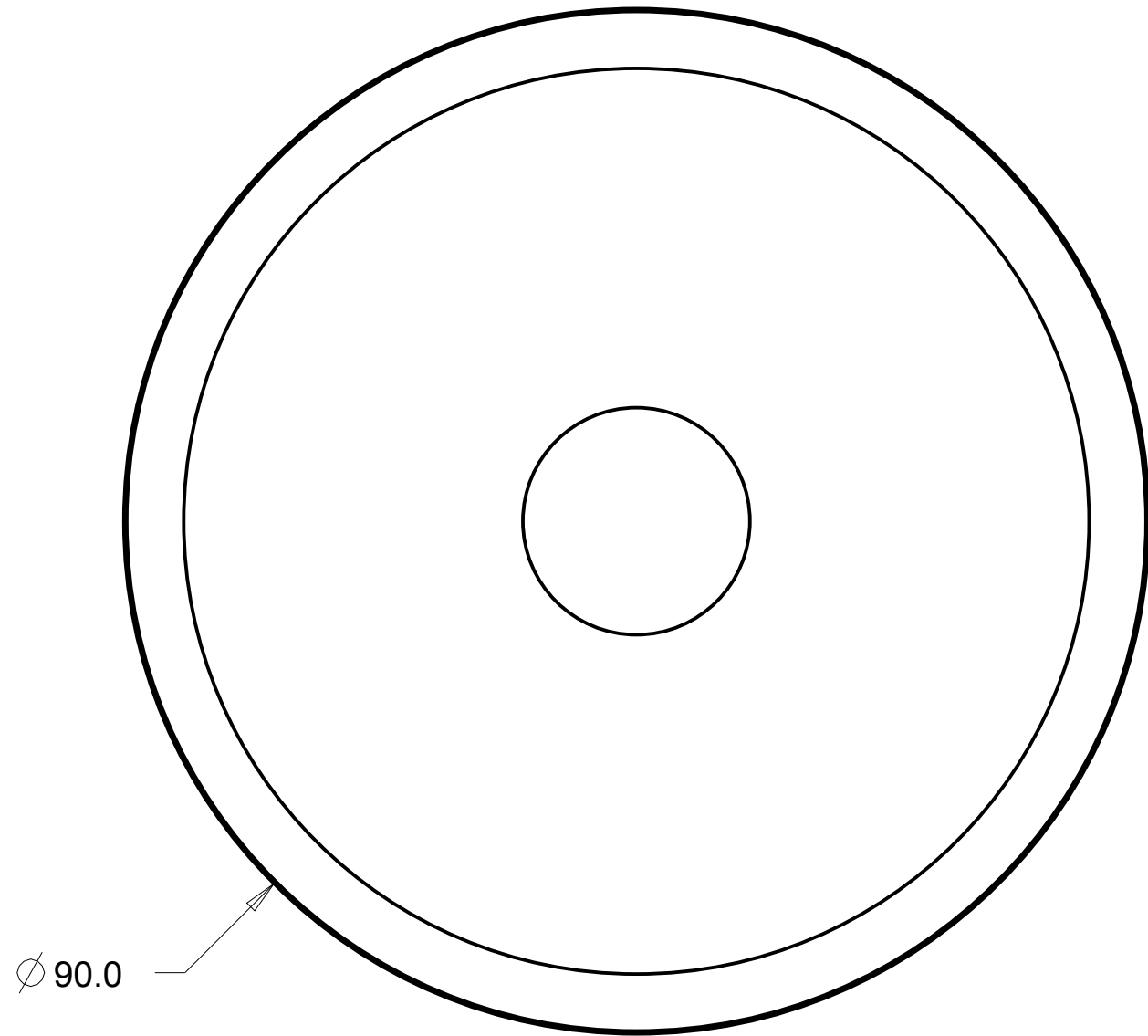
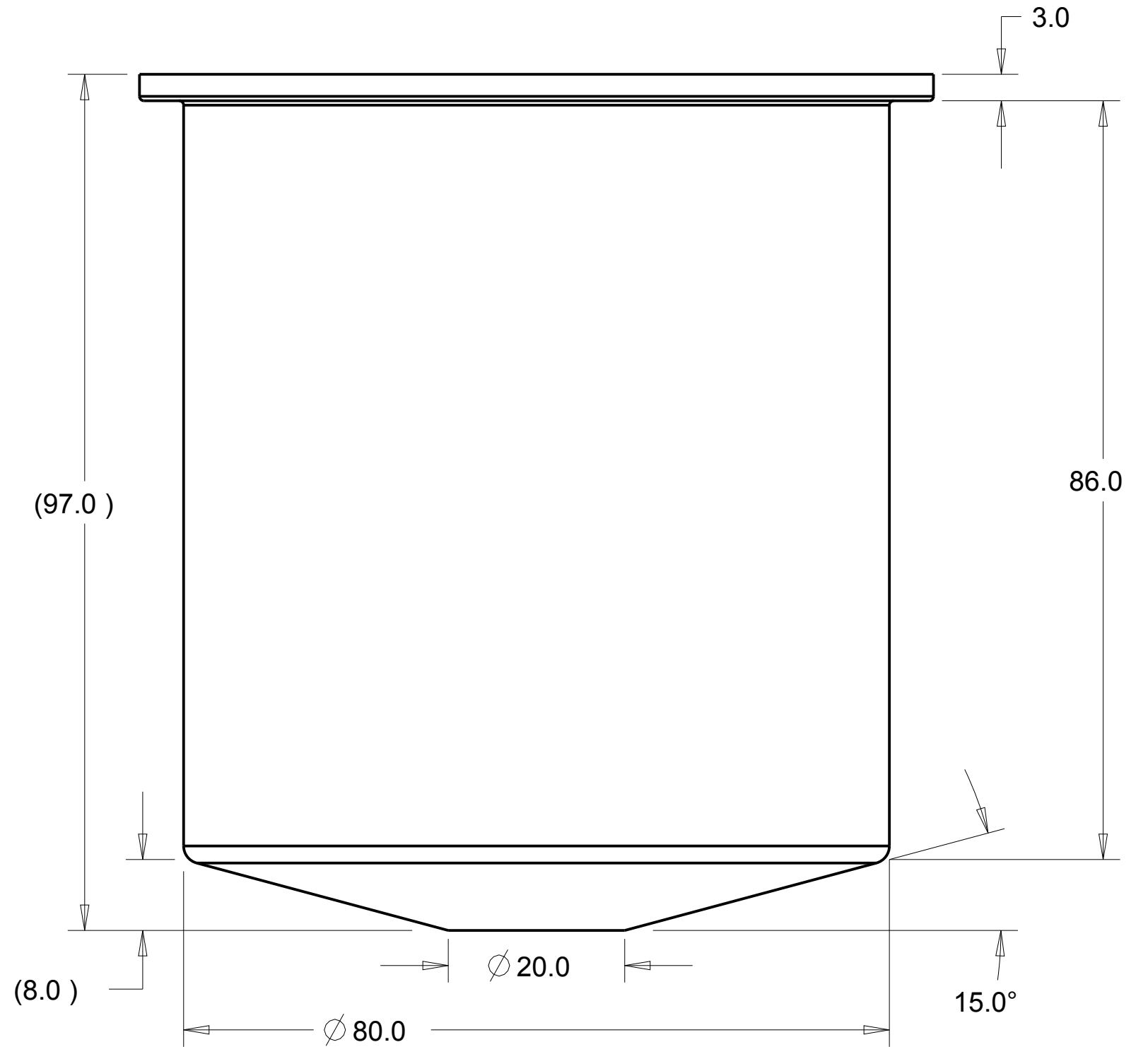


TOP VIEW



SIDE VIEW



NOTES:

- 1. THREADED OR FLANGED FITTINGS

<p>MATERIAL STD: HDPE OPT: POLYPRO OPT: PVDF</p>	<p>SHOT WEIGHT TBD</p>	<p>BAILIFF ENTERPRISES, INC. 8423 AIRLINE DRIVE, HOUSTON, TEXAS 77037 PHONE (381) 447-5372 FAX (281) 999-1223</p>	
<p>NOTES: ALL DIMENSIONS ARE IN DECIMAL INCHES TOLERANCES (UNLESS OTHERWISE SPECIFIED) $\pm .5\%$ @ 68 °F</p>		<p>DESCRIPTION 2000 Gallon Tank - Open Top - Cone Bottom</p> <p>COLOR TBD</p> <p>PART NO. OTCB2000-80 CUSTOM TANK 1.9 SPECIFIC GRAVITY HEAVY WALL</p>	